

Push Button Metering Handwash Faucet

TECK[®]
COMMERCIAL

DELTA[®]

SPECIFICATION: (EXAMPLE)



- **HEAVY-DUTY CAST BRASS** single hole mount faucet
- Polished chrome plated finish
- Vandal-resistant push button
- Delta[®] metering slow close cartridge
- Two body mounted stainless steel Anti-rotation locking pins
- Vandal-resistant non-aerating spray
- **Total flow not to exceed 0.25 gallon per handle activation. See Note 1.**

87T104 0.5 gpm (1.9 L/min)

87T904 0.35 gpm (1.32 L/min)



87T104

86T1104

SPECIFICATION: (EXAMPLE)



- 86T1104**
- Single hole mount faucet
- Polished chrome plated finish
- Vandal-resistant push button
- Delta[®] metering slow close cartridge
- Vandal-resistant non-aerating spray, 0.5 gpm (1.9 L/min)
- **Total flow not to exceed 0.25 gallon per handle activation**

- 86T0104**
- Same as 86T1104 but with (86T151) 4" cast brass, polished chrome plated coverplate

- 86T1194**
- Same as 86T1104 but with 0.35 gpm (1.32 L/min) outlet

- 86T0194**
- Same as 86T0104 but with 0.35 gpm (1.32 L/min) outlet

Engineer/Architect Approval

Model Specified:

Approval:

Date:

SPECIFICATION: (EXAMPLE)



- **HEAVY-DUTY CAST BRASS** single hole mount faucet
- Polished chrome plated finish
- Vandal-resistant push button
- Delta[®] metering slow close cartridge
- Two body mounted stainless steel Anti-rotation locking pins
- Mixing tee and inlet checks
- Vandal-resistant non-aerating spray
- **Total flow not to exceed 0.25 gallon per handle activation. See Note 1.**

87T110 0.5 gpm (1.9 L/min)

87T910 0.35 gpm (1.32 L/min)



87T110



87T151

COVERPLATE

SPECIFICATION: (EXAMPLE)

- 87T151** with center faucet hole, two holddown shanks
- **HEAVY DUTY FORGED CAST BRASS**
- 102mm (4") center
- Polished chrome plated finish
- With locating holes for 87T104 to 87T911 metering faucets with anti-rotation locking pins
- **For secure Public Washroom Faucet/Fixture Installations**

NOTE 1: Data based on 73 °F water temperature and 50 psi flowing pressure.

0.5 gpm (1.9 L/min) faucet can be set to a maximum close time of about 27 seconds with an output volume = 0.21 gallons.


0.35 gpm (1.32 L/min) faucet can be set to a maximum close time of about 30 seconds with an output volume = 0.14 gallons.

Push Button Metering Handwash Faucet

TECK
COMMERCIAL

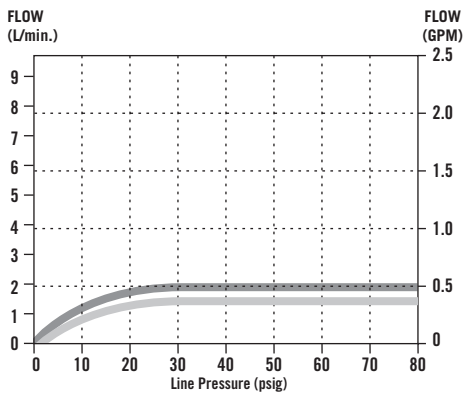
DELTA

APPROVALS:

- CSA certified
- Complies to ASME A112.18.1/CSA B125.1
-  Indicates compliance to ICC/ANSI A117.1
- Verified compliant with 0.25% weighted average Pb content regulations

(Contact Delta Representative for State and/or Local Approvals.)

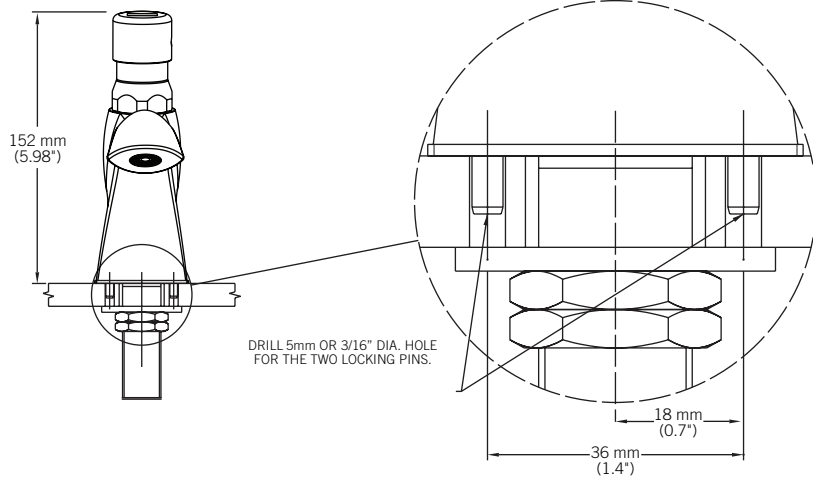
FLOW RATE vs PRESSURE



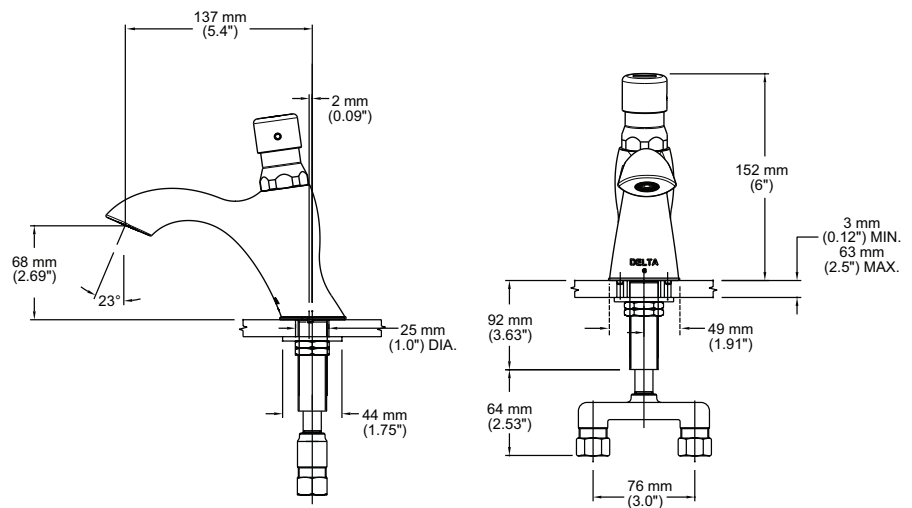
Spout Outlets

- 0.5 gpm (1.9 L/min) Outlet
- - - 0.35 gpm (1.32 L/min) Outlet

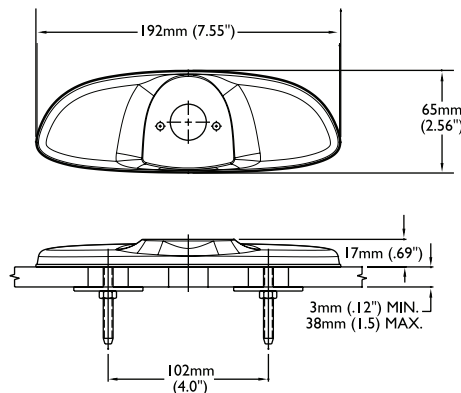
87T104 – 87T910 – LOCKING PINS



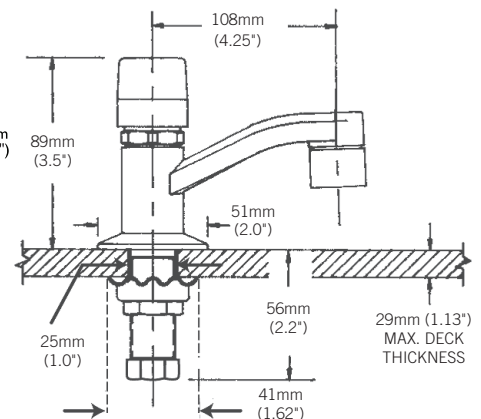
87T110 & 87T910



87T151



86T1104



INLETS - 1/2" MIP/Coupling Nuts

Note: Measurements may vary ± 6 mm (0.25")

Refer to www.specselect.com for individual models.

Note: Use this page front and back as a product submittal sheet.